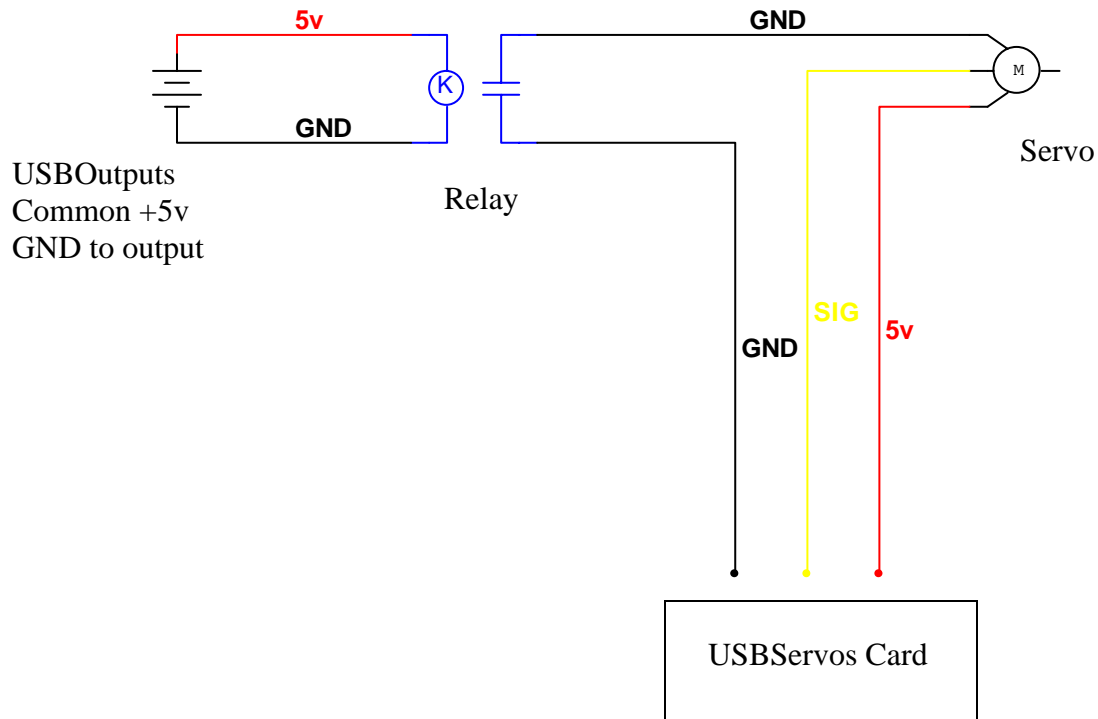


Symulatory TQ Wiring Diagrams Servo Relays



Operation

Servo is connected to USB Servos card as above. However, to control when power is on or off the GND from the servo is routed via a 5v to 5v relay. When coil is energized the contact is broken and power to the servo is off.

The Relay coil side is wired to the Opencockpits USBOutputs card as follows.

+5v is connected to the common power on the card.

GND is connected to one of the outputs and controlled by SIOC.

Example

Var 0001, Link, IOCARD_OUT, Output 34 //Servo1 Power 1 is Power off 0 is Power on

WWW.Boeing737NG.co.uk

Symulatory TQ Wiring Diagrams Servo Relays